



1700 E C U A T E P I

3 2 8 2 8 3 7 4

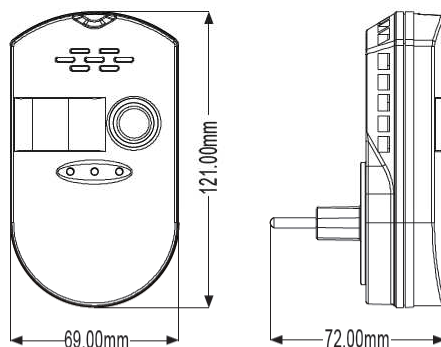
Sitio web: www.ecuatepi.comE – mail: info@ecuatepi.com

LX-GS Gas Alarm Instruction

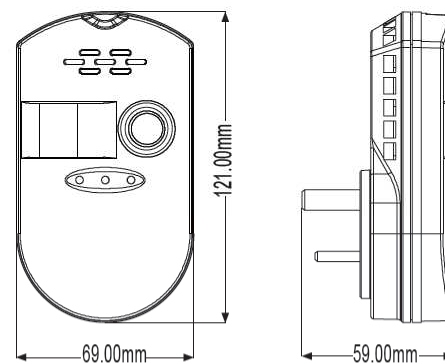
Summary

LX-GS is a kind of freestanding flammable gas alarm. It adopts advanced gas sensor, and select MCU with high ratio of performance and price as control core. It is a household small type gas security alarm. It can detect gas leak concentration indoor. When gas leak concentration reaches presetting level, the alarm provides a visual and audible signal. When the concentration is below presetting level, the alarm resume to the normal working state, that avoid person loss and property damage lead by toxicosis, explosion and fire because of gas leak.

Reference standard: EN50194:2000



European plug

European plug British plug 

British plug

Specifications

Power source: 100-240V/AC
 Power frequency: 50/60Hz
 Rated load: <2W
 Detect gas: LPG ,natural gas, town gas

Alarm concentration: 3%LEL~20%LEL
 Alarm volume: ≥85db
 Working environment: -10°C~+40°C
 Working humidity: <97%RH

Where should install the alarm

1. For the natural gas and town gas detection:

- It should be installed in the room where a gas escape is most likely to occur, this may be the kitchen because of the presence of a gas cooker and other gas appliances.
- It should be installed above the level of a possible gas escape and near the ceiling (typically 0.3m from the ceiling), in place where air movements are not impeded by furniture and furnishings.

2. For LPG detection:

- It should be installed in the room where the most frequently used appliance is accommodated and where an escape is most likely to occur. In most domestic premises, this room may be the kitchen because of the presence of a gas cooker and possibly other gas appliances.
- It should be mounted as low as possible (typically 0.1m above the floor) and in place where air movements are not impeded by furniture .



TÉCNICAS ECUATORIANAS DE PROTECCIÓN CONTRA INCENDIOS

ECUATEPI S.A.

Ecuador**Panamá****Suiza****USA****Inglaterra****1700 ECUATEPI****328 28374****Sitio web: www.ecuatepi.com****E – mail: info@ecuatepi.com**

Where should not install the alarm

- In an enclosed space(e.g in a cupboard or behind a curtain)
- Directly above a sink;
- Next to a door or window;
- Next to an extractor fan;
- In an area where the temperature may drop below -10°C or exceed 40°C;
- where dirt and dust may block the sensor;
- In a damp or humid location.

Operation

• Warm-up state:

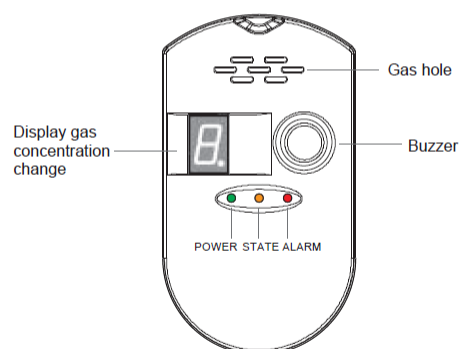
Switch on power, the POWER LED lights green. and the alarm give DiDi sound (the ALARM LED flash twice), the window display flashing "-". After approximately 4min it display "0", and the alarm enter waiting state.

• Pre-alarm state:

Under the condition that the alarm enters waiting state, when the alarm detect flammable gas leak and not reach pre-set alarm level, the digital display LED display concentration changing by 1 ,2 ...9. when display 3~9, the STATE LED light red, the alarm give slow Di--Di... sound when displaying3,4,5 and give quick DiDiDi--DiDiDi...sound when displaying 6,7,8,9.

• Alarm state:

When the concentration reach pre-set alarm level, the LED display A, and the unit alarm, STATE LED light red and ALARM LED light.When the concentration is below pre-set level, the alarm resume the normal working state.



Maintenance

Your alarm will alert you to potentially hazardous gas concentrations in your home when maintained properly. To maintain your alarm in proper working order, it is recommended that:

- Test your alarm at least once per week(e.g: you can gently press lighter to produce gas facing the gas hole on alarm).
- Keep the alarm free of dust by gently vacuuming the case with a soft brush attachment once per month.
- Never use cleaning solutions on your alarm, simply wipe with a slightly damp cloth.
- Do not paint the alarm.
- Do not spray aerosols on or near the alarm.
- Move the alarm to a safe location and store in a plastic bag before painting,wall papering, using or performing any other activities that use materials that emit strong fumes. Remember to remove it from the bag and replace the detector when these activities are finished.

What to do in the event of an alarm sounding or the smell of gas even without an alarm

Keep calm, and carry out the following actions(not necessarily in the order given):

- Extinguish all naked flames, including all smoking material;
- Turn off all gas appliances;
- Do not switch on or off any electrical equipments, including the gas detection apparatus;
- Open doors and windows to increase ventilation;
- Do not use a telephone in the building where the presence of gas is suspected.

If the alarm continues to operate and the cause of the leak is not apparent or cannot be corrected,vacate the premises and immediately notify the gas supplier or the gas emergency 24 h-service in order that the installation may be tested and made safe, and any necessary repair carried out.

If the alarm stops and the reason for the alarm having operated is identified, after stopping the gas release and ensuring that all appliances are turned off, the main gas supply may be reinstated.

TÉCNICAS ECUATORIANAS DE PROTECCIÓN CONTRA INCENDIOS**ECUATEPI S.A.****Pág. 2**